

## Key Features

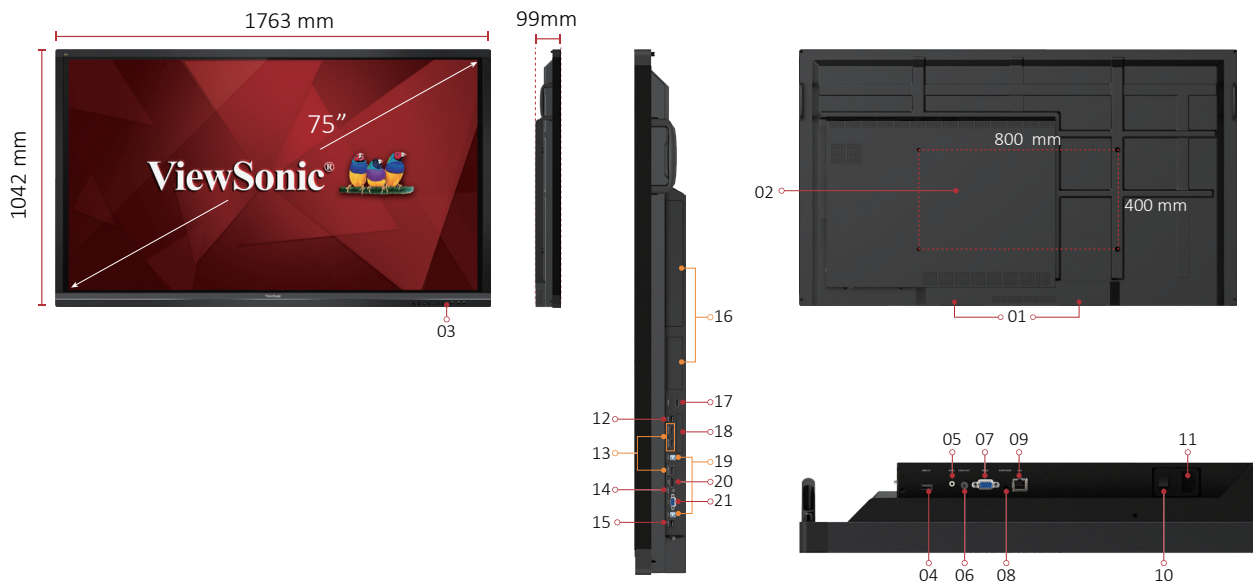
75" 4K Interactive Flat Panel

- > 20-Point Multi-Touch
- > Floating Pen- Annotation on Demand
- > vBoard® 2.2 Annotation Software
- > Built-in ARM Quad-core CPU with 16GB Storage
- > Out-of-Box Collaboration



## Product Description

Featuring 4K Ultra HD resolution and an immersive 20-point touch screen, the ViewSonic® ViewBoard™ IFP7550 delivers incredible collaborative capabilities for 21st century boardrooms and classrooms. With vBoard™ Embedded software, this 75" interactive flat panel lets multiple users write or draw on the screen with their fingers and styluses. For more robust annotation options, ViewBoard® Interactive Annotation Software for Windows PC is available via a free download. With a built-in quad-core processor, as well as versatile connectivity options including multiple HDMI, VGA, RS232, RJ45, and USB ports, this display provides powerful computing for annotation and multimedia playback without the need for a PC. This display delivers optional slot-in PC capability for more computing-intensive interactive applications. The IFP7550 features a VESA-compatible design and can be placed on a wall mount, or on an optional trolley cart for flexible installation in classrooms and corporate meeting rooms.



- |                                      |                      |              |                                  |
|--------------------------------------|----------------------|--------------|----------------------------------|
| 01. SPEAKERS                         | 06. SPDIF (COAX OUT) | 12. USB 2.0  | 18. WIFI & BLUETOOTH MODULE SLOT |
| 02. VESA® Wall Mount<br>800 x 400 mm | 07. RS232 IN         | 13. HDMI IN  | 19. USB 2.0 (Touch)              |
| 03. MENU CONTROLS                    | 08. AUDIO OUT        | 14. AUDIO IN | 20. DisplayPort                  |
| 04. USB 2.0                          | 09. RJ45 (LAN)       | 15. USB 3.0  | 21. VGA IN                       |
| 05. CVBS IN (AV IN)                  | 10. POWER ON / OFF   | 16. PC SLOT  |                                  |
|                                      | 11. AC IN            | 17. HDMI OUT |                                  |



75"



3840 x 2160



20 point-touch



350 nits



7H glass



16W (x2)

#### Display:

|                              |                                |
|------------------------------|--------------------------------|
| Display Size (in.):          | 75                             |
| Viewable Area (in.):         | 75                             |
| Light Source:                | LED                            |
| Resolution:                  | 3840 x 2160                    |
| Aspect Ratio:                | 16:9                           |
| Static Contrast Ratio:       | 1,200:1                        |
| Brightness:                  | 350 nits                       |
| Response Time (Typical GTG): | 8ms                            |
| Viewing Angles:              | 178° horizontal, 178° vertical |
| Panel Surface:               | Anti-glare 7H tempered glass   |

#### Embedded Player:

|                  |   |
|------------------|---|
| Android Version: | 5.1                                       |
| GPU:             | ARM Mali450 MP4                           |
| CPU:             | ARM Cortex A53 Quad Core Processor 1.5GHz |
| Memory:          | 2GB                                       |
| Storage:         | 16GB                                      |
| Interface:       | OSD / Remote Control / Annotation overlay |
| Ethernet LAN:    | 10/100 Mbps                               |

#### Audio:

|                    |          |
|--------------------|----------|
| Internal Speakers: | 16W (x2) |
|--------------------|----------|

#### Connector:

HDMI 1.4(2), HDMI 2.0(1), HDMI Out(1), VGA(1), Display Port(1), Composite RCA(1), 3.5mm Audio In(1), 3.5mm Audio Out(1), SPDIF Audio Out(1), USB 3.0(2), USB 2.0(4), Slot-in PC Slot(1), USB B Touch Port(2), Ethernet LAN (RJ45)(1), WIFI Module Slot(1), Expansion Slot(1)

#### Power:

|   |                      |
|---|----------------------|
| Voltage:                                  | 100-240 VAC, 50-60Hz |
| Consumption With Slot-In PC (typical):    | 387W                 |
| Consumption Without Slot-In PC (typical): | 292W                 |
| Stand-by:                                 | <0.5W                |

#### Controls:

|                    |  |
|--------------------|--|
| On Screen Display: | Input, Volume, Backlight, Audio, Screen, Display, Adjust |
| Remote Control:    | Volume, Channel, Source, Mute, Back, Input, Menu         |

#### Operating Conditions:

|                            |                      |
|----------------------------|----------------------|
| Temperature:               | 32-104° F (0- 40° C) |
| Humidity (non-condensing): | 10-90%               |

#### Touch:

|                   |                |
|-------------------|----------------|
| Touch Technology: | Infrared       |
| Touch Points:     | 20-Point Touch |

#### Weight (metric):

|             |      |
|-------------|------|
| Net (kg):   | 58.5 |
| Gross (kg): | 76   |

#### Weight (imperial):

|              |        |
|--------------|--------|
| Net (lbs):   | 128.97 |
| Gross (lbs): | 167.55 |

#### Dimensions (metric) (WxHxD):

|                 |                   |
|-----------------|-------------------|
| Packaging (mm): | 1919 x 1225 x 280 |
| Physical (mm):  | 1763 x 1042 x 99  |

#### Dimensions (imperial) (WxHxD):

|                  |                    |
|------------------|--------------------|
| Packaging (in.): | 75.3 x 48.2 x 11.0 |
| Physical (in.):  | 69.4 x 41.0 x 3.9  |

#### Mount:

|                  |              |
|------------------|--------------|
| VESA Compatible: | 800 x 400 mm |
|------------------|--------------|

#### Additional Hardware:

|                          |   |
|--------------------------|---|
| Camera Mounting Bracket: | 1 |
|--------------------------|---|

#### Warranty:

3-year limited warranty on parts, labor and backlight, onsite warranty

#### Recycle/Disposal:

Please dispose of in accordance with local, state or federal laws.

#### What's In The Box?

IFP7550 display, stylus pen x 3, power cable, remote control with batteries, ViewSonic Wizard CD (User Guide), Quick Start Guide, USB cable, audio cable, camera bracket, VGA cable, power cords

#### Regulations:

cTUVus, FCC, Mexico Energy, CE, CB, RoHS, ErP, WEEE

#### UPC:

766907901610

#### Accessories:

CD-EW-70-01, CD-EW-70-02, Intel Unite, LB-STND-003, LB-STND-005-3, LB-WIFI-001, LB-WIFI-001-S, NMP250-WL, NMP250-WU, NMP620-P10, NMP620-P10X, NMP660, NMP709-P10\_1, NMP709-P10\_3, NMP709-P10\_5, STND-047, SW-020, SW-050, SW-051, SW-071, SW-071-2, SW-072, SW-072-2, SW-073, SW-073-2, SW-074, SW-074-2, SW-075-2, SW-110, SW-111, SW-115, SW-UP-117, VB-STND-001, VB-STND-002, VB-STND-003, VB-STND-004, VB-VIS-001, VC10, VCB10, VPC01-AN, VPC10-WP, VPC10-WP-2, VPC10-WP-4, VPC10-WP-S, VPC14-WP, VPC14-WP-2, VPC14-WP-4, VPC14-WP-5, WMK-047, WMK-047-2, WMK-054, myViewBoard for Windows